

# LIFTKEYS

"All About the Elevator"

# 2025

Product & Price  
Catalog

We Produce for the Whole World, We Add Value

09082025







About Us

[Liftkeys.com](https://www.liftkeys.com)

**Liftkeys – Providing A-to-Z Solutions for the Elevator Industry.**

Liftkeys is an innovative manufacturer offering value-added products to the elevator industry. With a comprehensive and continuously expanding product range, Liftkeys delivers end-to-end solutions for elevator components. Backed by a strong R&D team, we constantly introduce new products to our production line, helping shape the future of the industry.

Whether you need components for high-speed or heavy-duty elevators, or you're looking for custom engineering solutions, Liftkeys is your trusted partner – combining reliability, efficiency, and European-standard design and manufacturing in every product.

# LKS ATLAS Load Measurement System



**LKS ATLAS**  
ATLAS bir KABITANISLER kurulusudur.

NC  
NO  
COM

KIRMIZI  
Yesil  
Beyaz  
Siyah

KIRMIZI  
Yesil  
Beyaz  
Siyah

**LKS ATLAS**  
KABITANISLER kurulusudur

**ATLAS**  
KABITANISLER kurulusudur

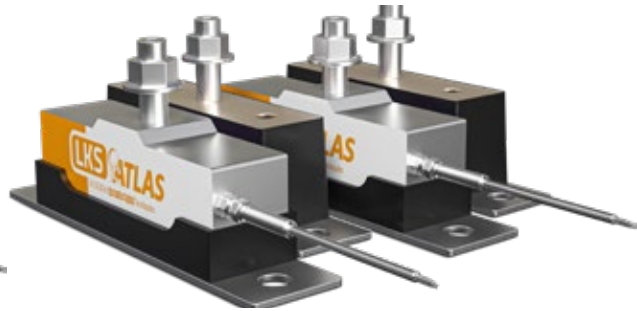
# Load Measurement System



1. In order for our product to be used safely and for a long time, the materials must be connected by MYK certified personnel.
2. When connecting the sensor cables, special attention should be paid to their colors.
3. The product comes calibrated at the factory. If calibration is required for very precise measurement, the determined load must be distributed equally within the cabin.
4. Special care should be taken to ensure that the 220 V supply voltage is connected to the appropriate input located in the upper left corner of the Power Unit.



4 Active Sensor



2 Active - 2 Passive Sensor

Product Code	Product Name	Qty per package	Price / Qty
LKS-ATLAS-1	LKS -Load Measurement 2 Active 2 Passive	1	93.00 \$
LKS-ATLAS-2	LKS - Load Measurement 4 Active	1	128.00 \$
LKS-ATLAS-5-A-KRT	LKS - Load Measurement Main Board	1	52.00 \$
LKS-ATLAS-5-A-SN	LKS - Load Measurement Active Sensor	1	25.00 \$
LKS-ATLAS-5-P-SN	LKS - Load Measurement Passive Sensor	1	9.00 \$



# LKS HORUS Photocell System



8 ▲ 17:05  
25 °C  
220V AC Power

TX  
LKS HORUS

RX  
LKS HORUS

NC NO COM Status  
+ 220 V AC  
-  
1 2 3 4  
5 6 7  
LKS HORUS  
LKS HORUS bir KAGITANISIZLIK kurulusudur  
TX RX

8 ▲  
▲  
▼

# LKS HORUS Photocell System

1) For the installation of the LKS Horus photocell system at the cabin entrance, several locations can be selected depending on the condition of the elevator project.

- It can be used by connecting to moving panels in centrally opening doors.
- It can be used from outside to outside of the cabin with auxiliary parts.
- One sensor can be used by connecting it to the movable panel and the other sensor to the cabin's fixed base.

2) The sockets of the TX and RX cables coming out of the sensors should be connected to the appropriate inputs on the power unit.

3) Sensor cables should be fixed in appropriate positions with cable ties included in the package.

4) When fixing the sensors, only the connecting screws provided in the package should be used.

5) The green light on the power unit indicates that the unit is energized. The red light indicates that there is an obstacle in the beam barrier.



Number of Diodes	36
Number of Diodes	0- 5000 mm
Supply Voltage	220 V
Number of Rays	174
Cable Length	2.5 m x 2

Product Code	Product Name	Qty per package	Price / Qty
LKS-HRS-01	LKS - HORUS - Photocell	1	93.00 \$
LKS-HRS-02	LKS - HORUS - Main Board	1	35.00 \$
LKS-HRS-03	LKS - HORUS - Profile	1	35.00 \$
LKS-HRS-06	LKS-HORUS- Cable Set	1	15.00 \$



Elevator Skate Block

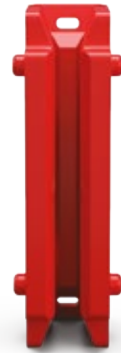


# Elevator Skate Block



## Elevator Skate Block (Large)

- Compatible with 9 and 16 mm guide rails.
- Flexibility in all directions due to rubber pads inside the body.
- Adjustable screw at the back of the body allows for forward and backward adjustments.
- Efficient absorption of vibrations and rail imperfections.
- Hole dimensions are compatible with other skate blocks.
- Provides ease of use and high comfort.
- Equipped with an internal lubrication system.



*It does not make noise thanks to its specially mixed polyurethane material and special geometric surface treatment.*

**“TPU Raw Material”**

## Oil Cup

- 230 ml oil reservoir capacity.
- Felt system that surrounds the rail from three directions and ensures even lubrication.
- Connection Adaptor pieces compatible with other brake types.



Product Code	Product Name	Qty per package	Price / Qty
LKS-P1-70-Y1.1	Car Guide Rail Shoe Block With Oil Cup 70 - 9mm	4	60.00 \$
LKS-P1-90-Y1.1	Car Guide Rail Shoe Block With Oil Cup 90 - 16mm	4	60.00 \$
LKS-P2-50	Counterweight Guide Shoe Block 50 - 5mm	4	21.00 \$
LKS-P2-70	Counterweight Guide Shoe Block 70 - 9mm	4	21.00 \$
LKS-P3-50	Guide Shoes Plastic 50 - 5mm	100	1.60 \$
LKS-P3-70	Guide Shoes Plastic 70 - 9mm	100	1.60 \$
LKS-P3-90	Guide Shoes Plastic 90 - 16mm	100	1.60 \$



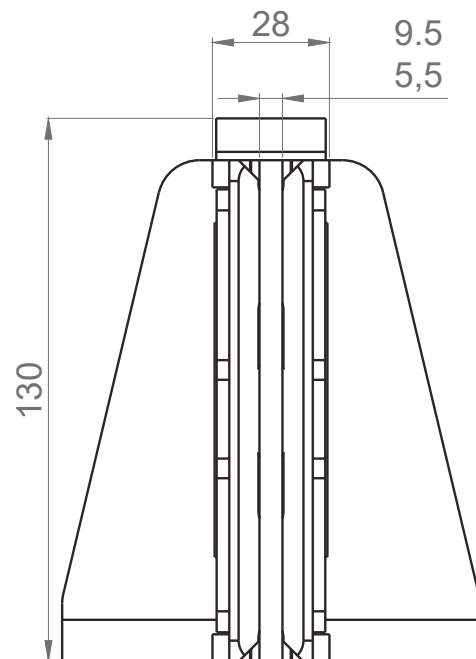
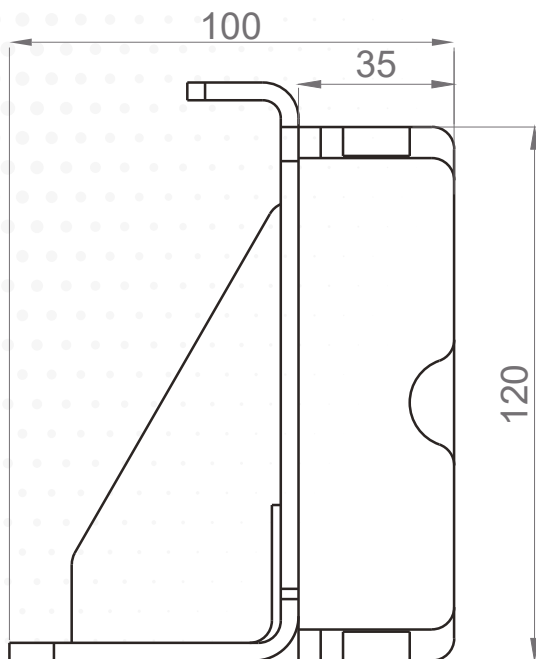
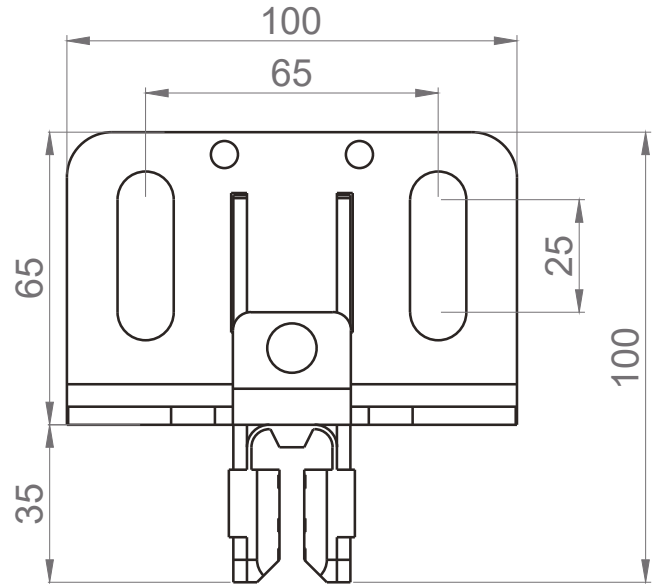
# Elevator Skate Block



# Elevator Skate Block (Small)

## Elevator Skate Block (Small)

- Suitable for use with 5 and 9 mm guide rails.
- Noiseless operation due to special polyurethane material and surface treatment.
- High strength provided by the dual flags at the back of the body.
- Hole dimensions are compatible with other skate blocks.
- Provides ease of use and high comfort.



# Handrail Connection Apparatus & Pipes



# Elbow Type



Chrome



Smoked



Bronze



Rose

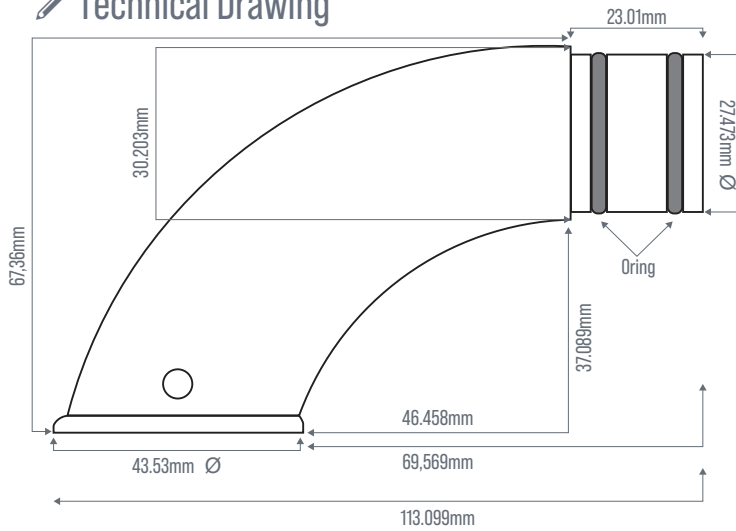


Gold



ESB Black

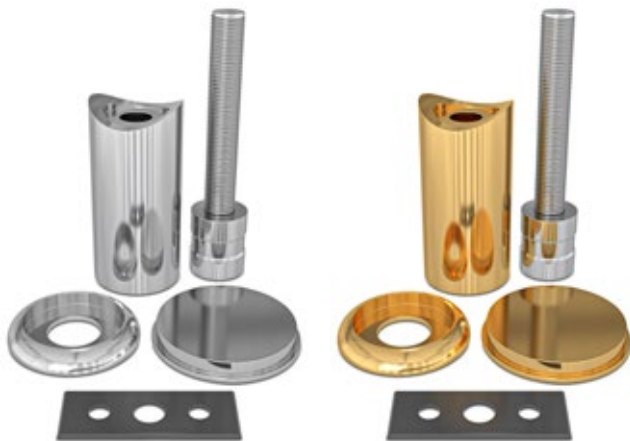
## Technical Drawing



Product Code	Product Name	Color	Price (pcs)
LKS-KP-DC-81-20	Elbow 81/20 Handrail Connection Apparatus	Chrome	5.00 \$
LKS-KP-DG-81-20	Elbow 81/20 Handrail Connection Apparatus	Gold	6.00 \$
LKS-KP-DF-81-20	Elbow 81/20 Handrail Connection Apparatus	Smoked	6.00 \$
LKS-KP-DBB-81-20	Elbow 81/20 Handrail Connection Apparatus	Bronze	6.00 \$
LKS-KP-DBR-81-20	Elbow 81/20 Handrail Connection Apparatus	Rose	6.00 \$
LKS-KP-DB-81-20	Elbow 81/20 Handrail Connection Apparatus	ESB Black	5.00 \$



# Vertical Dovetail Handrail Connection Apparatus



Chrome

Gold

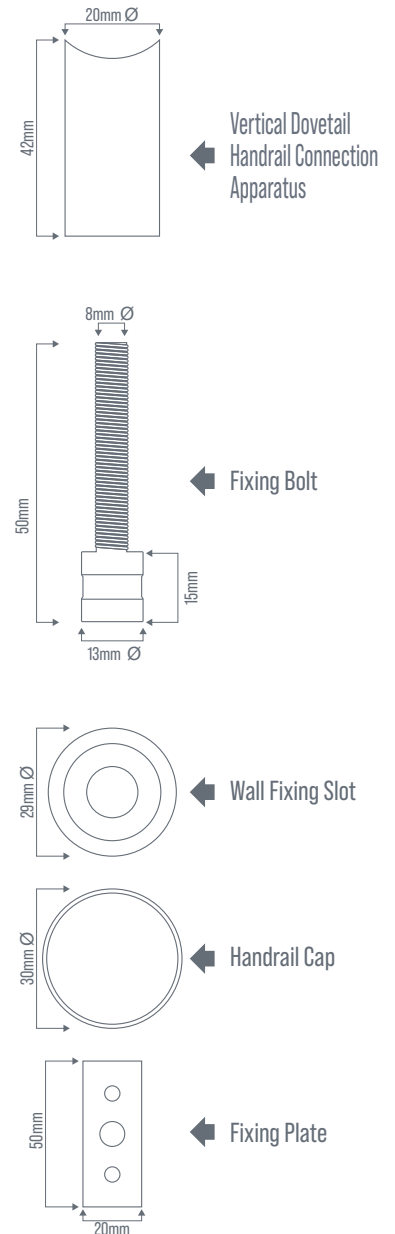


Smoked

Rose

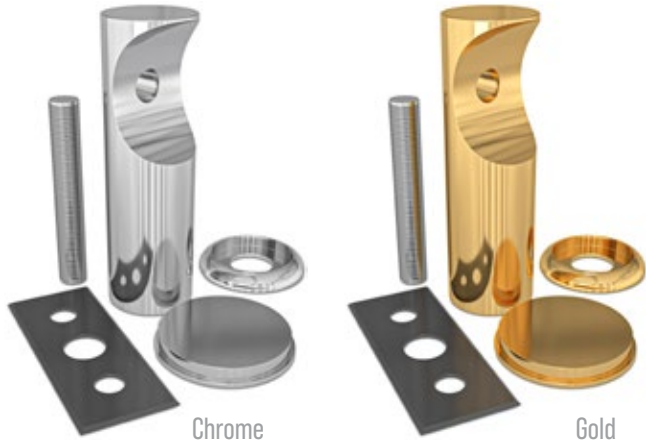
Bronze

Teknikal Drawing



Product Code	Product Name	Color	Price (pcs)
80-DKA-KP-KR	Vertical Dovetail Handrail Connection Apparatus	Chrome	6.00 \$
81-DKA-KP-GD	Vertical Dovetail Handrail Connection Apparatus	Gold	7.00 \$
82-DKA-KP-FM	Vertical Dovetail Handrail Connection Apparatus	Smoked	7.00 \$
84-DKA-KP-BR	Vertical Dovetail Handrail Connection Apparatus	Bronze	7.00 \$
83-DKA-KP-RS	Vertical Dovetail Handrail Connection Apparatus	Rose	7.00 \$

# Elbow Handrail Connection Apparatus



Chrome

Gold

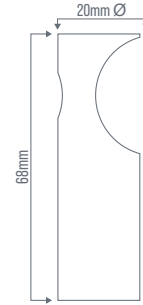


Smoked

Rose

Bronze

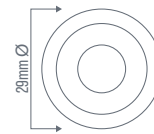
Teknikal Drawing



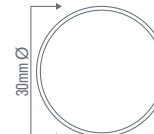
Elbow Handrail Connection Apparatus



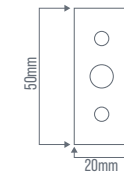
Fixing Bolt



Wall Fixing Slot



Handrail Cap

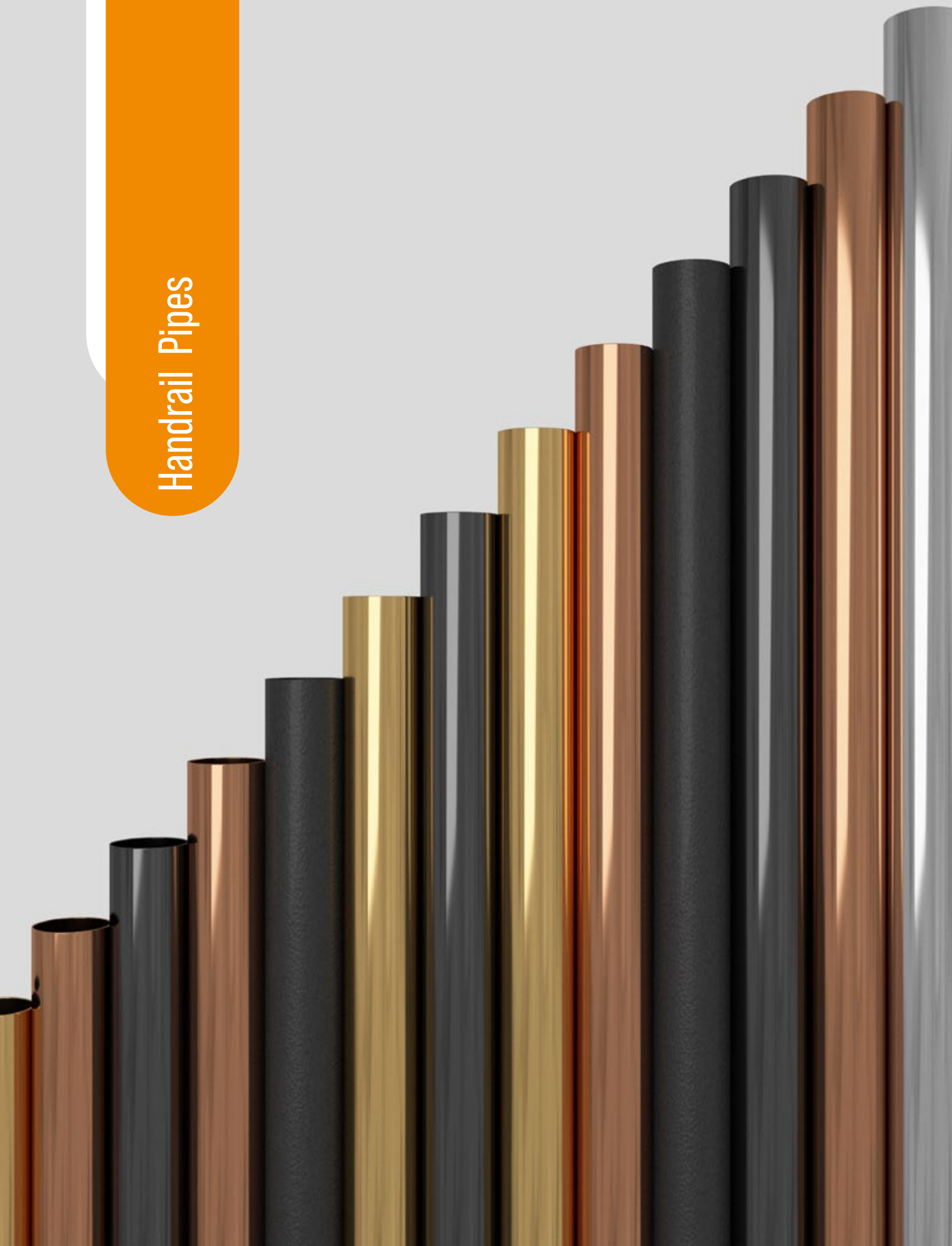


Fixing Plate

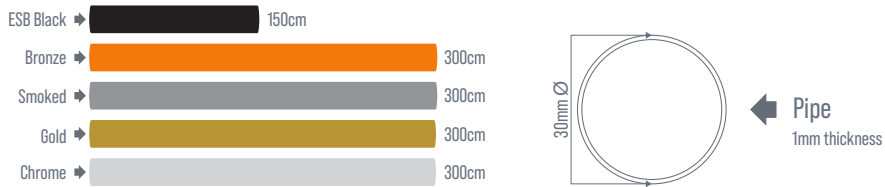
Product Code	Product Name	Color	Price (pcs)
90-AKA-KP-KR	Vertical Dovetail Handrail Connection Apparatus	Chrome	7.00 \$
91-AKA-KP-GD	Vertical Dovetail Handrail Connection Apparatus	Gold	8.00 \$
92-AKA-KP-FM	Vertical Dovetail Handrail Connection Apparatus	Smoked	8.00 \$
93-AKA-KP-RS	Vertical Dovetail Handrail Connection Apparatus	Bronze	8.00 \$
94-AKA-KP-BR	Vertical Dovetail Handrail Connection Apparatus	Rose	8.00 \$



# Handrail Pipes



# Handrail Pipe



Product Code	Product Name	Color	Length	Price / Metre
LKS-KB-DC-81-20	Stainless Pipe (201)	Chrome	3 Metre	4.30 \$
LKS-KB-DG-81-20	Stainless Pipe (201)	Gold	3 Metre	20.00 \$
LKS-KB-DF-81-20	Stainless Pipe (201)	Smoked	3 Metre	20.00 \$
LKS-KB-DBB-81-20	Stainless Pipe (201)	Bronze	3 Metre	20.00 \$
LKS-KB-DBR-81-20	Stainless Pipe (201)	Rose	1.5 Metre	20.00 \$
LKS-KB-DB-81-21	Stainless Pipe (201)	ESB Black	1.5 Metre	20.00 \$

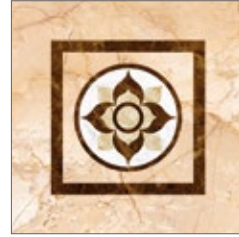


# PVC Flooring Materials (Patterned)



# PVC Flooring Materials (Paternal)

Product Code	Thickness	Dimensions (mm)	Pattern Size (mm)	Qty per Roll	Price / Qty
AEZ-148.RZUE2	2 mm	1520X1400	900 X 900	10	65.71 \$
AEZ-149.RZUE2	2 mm	1520X1400	900 X 900	10	65.71 \$
AEZ-150.RZUE2	2 mm	1520x1400	900 X 900	10	65.71 \$
AEZ-151.RZUE2	2 mm	1520x1400	900 X 900	10	65.71 \$
AEZ-152.RZUE2	2 mm	1520x1400	900 X 900	10	65.71 \$
AEZ-153.RZUE2	2 mm	1520x1400	900 X 900	10	65.71 \$
AEZ-156.RZUE2	2 mm	1520x1400	900 X 900	10	65.71 \$
AEZ-157.RZUE2	2 mm	1520x1400	900 X 900	10	65.71 \$
AEZ-158.RZUE2	2 mm	1520x1400	900 X 900	10	65.71 \$



AEZ148



AEZ153



AEZ149



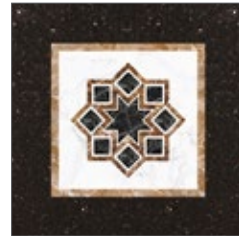
AEZ156



AEZ150



AEZ157



AEZ151

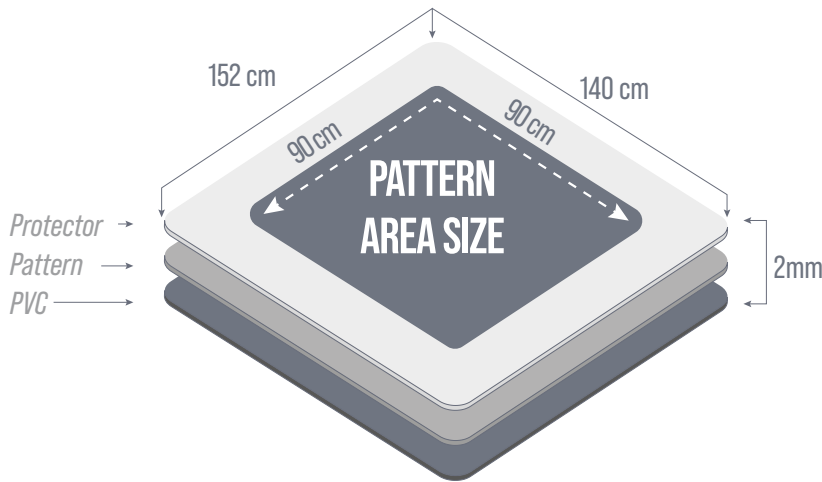


AEZ158



AEZ152

- Product size is 1520x1400 mm.
- Product interior pattern size is 900x900 mm



- Thickness : +- %5  
 - 1520x1620 and 1250x1250 sizes should be specially designed and manufactured. 4000 m2  
 - VAT 10% on felted products



Fire Certified



Antibacterial

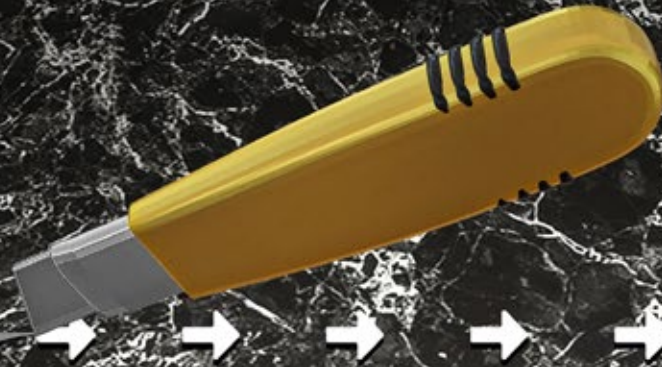


Slip-Resistance



Roll & Package Type PVC Flooring  
Materials [ Patterned ]

**2 COLOR  
PATTERNED**



**152 X 1350 cm**

**“End the wastage trouble!  
Cut and use as much as you want.”**

# Roll Type - Patterned PVC Flooring



AEZ209

AEZ211



Fire Certified



Antibacterial



Slip-Resistance

Product Code	Product Type	Thickness	Dimensions(cm)	Color	Price / Roll
AEZ-209.RZUE6	PVC	2mm	152 X 1350	Grey Marble	471.43 \$
AEZ-211.RZUE2	PVC	2mm	152 X 1350	Brown Marble	471.43 \$



## Fan & Limit Switches



# Fans

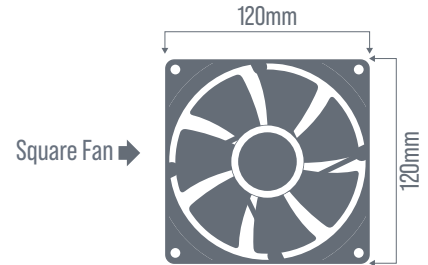


Square Fan



Blower Fan

Product Code	Product Name	Qty per package	Price / Qty
KRF-FAN-0001	Square Fan Motor 0.14 A 22/23w - 120 Mm	40	5.0 \$
RFM-60X180	Radiant Fan Motor 60x180 Mm	50	12.50 \$



LIMIT SWITCH Roller 05



LIMIT SWITCH LKS-07 (No Reset)



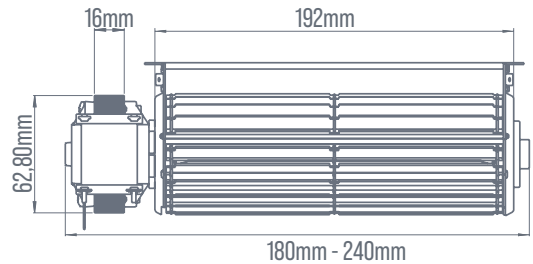
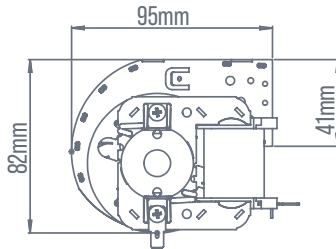
LIMIT SWITCH LKS-R08 (With Reset)



LIMIT SWITCH LKS-07-02-11

Radyal (Blower) Fan

"180mm - 240mm 2 options"



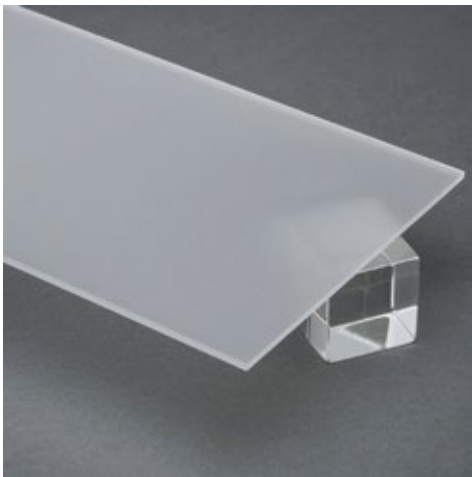
# Limit Switch

Product Code	Product Name	Qty per package	Price / Qty
LKSL07	LIMIT SWICH LKS-07 (No Reset)	150	2.85 \$
LKSLSM05	LIMIT SWICH Roller 05	45	3.00 \$
LKSLSR07-02	LIMIT SWICH LKS-07-02-11	150	2.85 \$
LKSLSR08	LIMIT SWICH LKS-R08 (With Reset)	150	2.85 \$

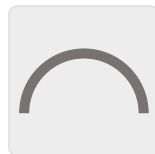


# Solid Plate - Polystyrene

## Solid Plate - Polystyrene



- Heat Resistant



- Pliable



- Does Not Crack

Solid Plate

Polystyrene



Product Code	Product Name	Diameter (mm)	Thickness (mm)	Palet	Price / Qty
SLD.SDK1.SDE2	Solid Plate	2050 x 3050	1.5	40	15.00 \$
PLSTN.PLK2.PLE2.PLA1	Polystyrene	1200 x 2400	1.2	10	9.50 \$

# Lighting Products



Product Code	Product Name	Dimensions (cm)	Price / Qty
LKS-AA-Revizyon-5CM	REVISION EMERGENCY LIGHTING - 5 CM 12 V	5 cm	14.20 \$
LKS-KA-ARMUZT-30	30CM LIGHTING	30 cm	26.50 \$
LKS-KU-ARMUZ-50CM	Shaft Lighting With Socket	50 cm	26.50 \$
LKS-KU-ARMUZ-50-SKZ	Shaft Lighting No Socket	50 cm	25.80 \$
LKS-KU-ARMUZ-100CM	Shaft Lighting With Socket	100 cm	53.25 \$
LKS-KU-ARMUZ-100-SKZ	Shaft Lighting No Socket	100 cm	51.50 \$
LEDIAQ ANKASTRE 15 CM	Lediaq Flush Mounted Lighting	15 cm	15.00 \$
LEDIAQ ANKASTRE 50 CM	Lediaq Flush Mounted Lighting	50 cm	28.50 \$
LEDIAQ ANKASTRE 100 CM	Lediaq Flush Mounted Lighting	100 cm	56.50 \$
LKS-SU-EKO-ARMOZ-1	Armoz Surface Mounted Lighting	50 cm	12.50 \$
LKS-SU-EKO-ARMOZ-2	Armoz Surface Mounted Lighting	100 cm	25.00 \$



Inspection Box Emergency Lighting

Control Cabinet Lighting

Shaft Lighting

Lediaq Flush Mounted Lighting

Armoz Surface Mounted Lighting

Eco Tape Armature Surface Mounted Lighting

plug-in cable



“Please kindly review the extensive details of all our products on [liftkeys.com](http://liftkeys.com)”

Liftkeys is a brand of **KAGITANISLER**

1 - 2" (inch ) Spot Led Lighting



# 1 & 2”(inch)Spot LED Lighting



1” Chrome Spot



1” Gold Spot



1” Black Spot

Product Code	Product Name	Diameter(inc)	Color	Qty per package	Price / Qty
LKS-KA-SP-1B-WL	Spot Led Cabin Lighting	1”	Black	100	6.00 \$
LKS-KA-SP-1B-YL	Spot Led Cabin Lighting	1”	Black	100	6.00 \$
LKS-KA-SP-1C-WL	Spot Led Cabin Lighting	1”	Chrome	100	5.00 \$
LKS-KA-SP-1C-YL	Spot Led Cabin Lighting	1”	Chrome	100	5.00 \$
LKS-KA-SP-1G-WL	Spot Led Cabin Lighting	1”	Gold	100	6.00 \$
LKS-KA-SP-1G-YL	Spot Led Cabin Lighting	1”	Gold	100	6.00 \$



2” Chrome Spot



2” Gold Spot



2” Black Spot



2” Chrome Eco Spot

Product Code	Product Name	Diameter(inc)	Color	Qty per package	Price / Qty
LKS-KA-SP-2B-WL	Spot Led Cabin Lighting	2”	Black	100	8.50 \$
LKS-KA-SP-2B-YL	Spot Led Cabin Lighting	2”	Black	100	8.50 \$
LKS-KA-SP-2C-WL	Spot Led Cabin Lighting	2”	Chrome	100	5.00 \$
LKS-KA-SP-2C-YL	Spot Led Cabin Lighting	2”	Chrome	100	5.00 \$
LKS-KA-SP-2G-WL	Spot Led Cabin Lighting	2”	Gold	100	8.50 \$
LKS-KA-SP-2G-YL	Spot Led Cabin Lighting	2”	Gold	100	8.50 \$
LKS-KA-SP-EC-2C-WL	Cab Lighting 2” Spot Crom - Eco Series	2”	Chrome	100	2.85 \$

2B-WL = 2” BLACK -White light

2B-YL = 2” BLACK - Yellow light

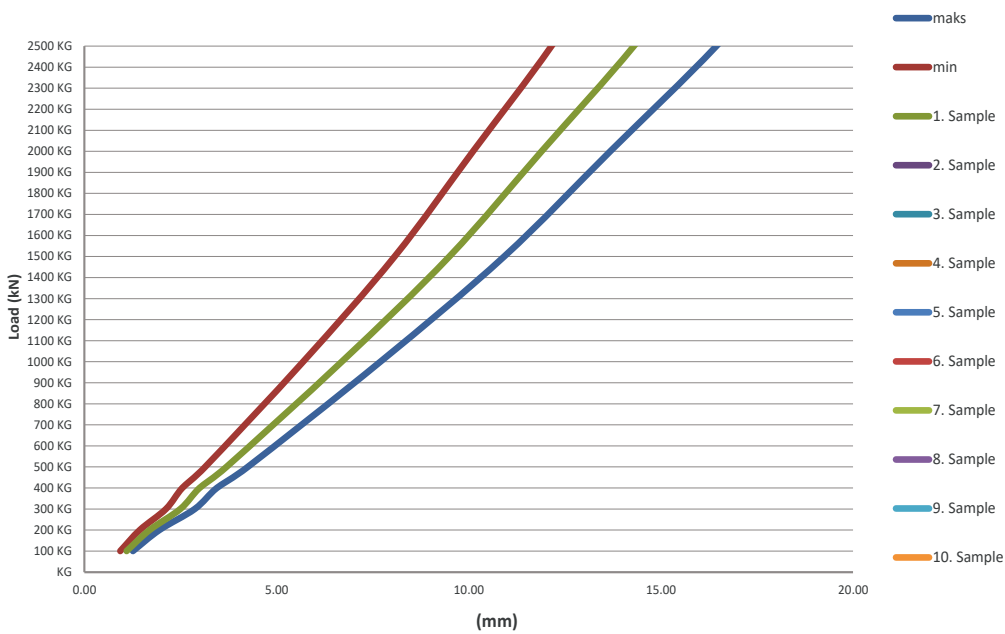
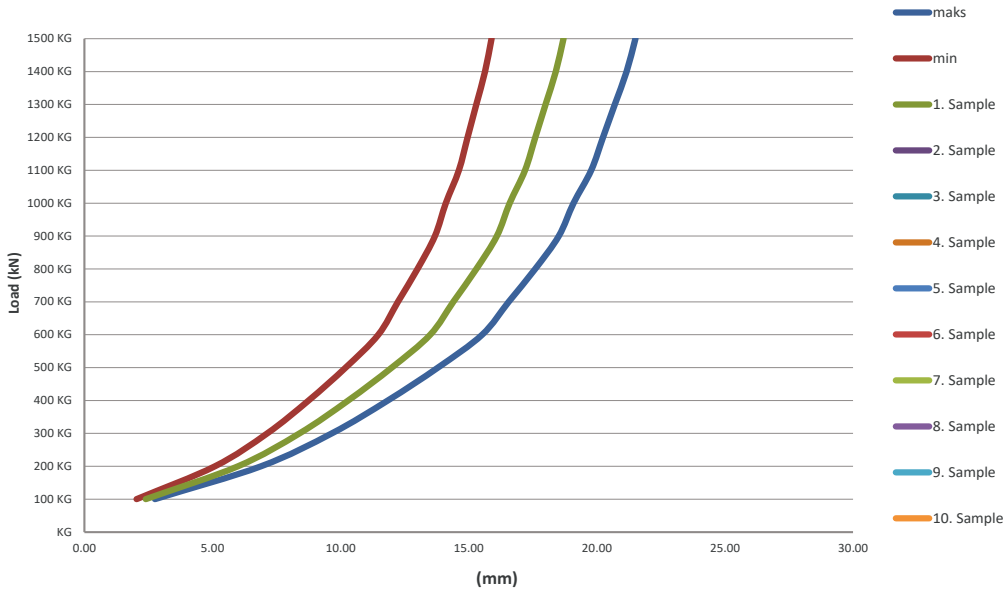
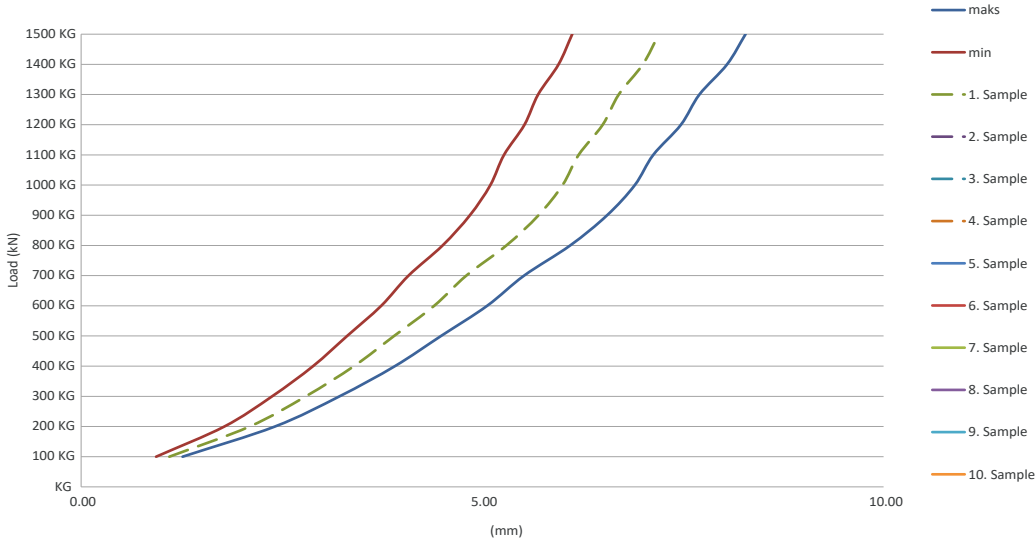


“Please contact us for different Kelvin values. Please contact us for special armature lengths.”

“\*\*\*Approximate lumen values have been given.”







# Elevator Labels & Tri-Angle Keys



Product Code	Product Name	Pcs
SAA.BBL2.KPL1.AAD7	Cast (Logo) Elevator Key	5.000
SAA.BBL2.KPL1.AAD5	Cast (Logo) Elevator Key	10.000
SAA.BBL2.KPL1.AAD6	Standard Elevator Key	250



Straight and  
Oval Cut

Elevator Labels  
Please contact for further Information;  
**Osman GÜLER** +90 533 288 08 21  
satis@kagittanisler.com



## Glass & Mirror



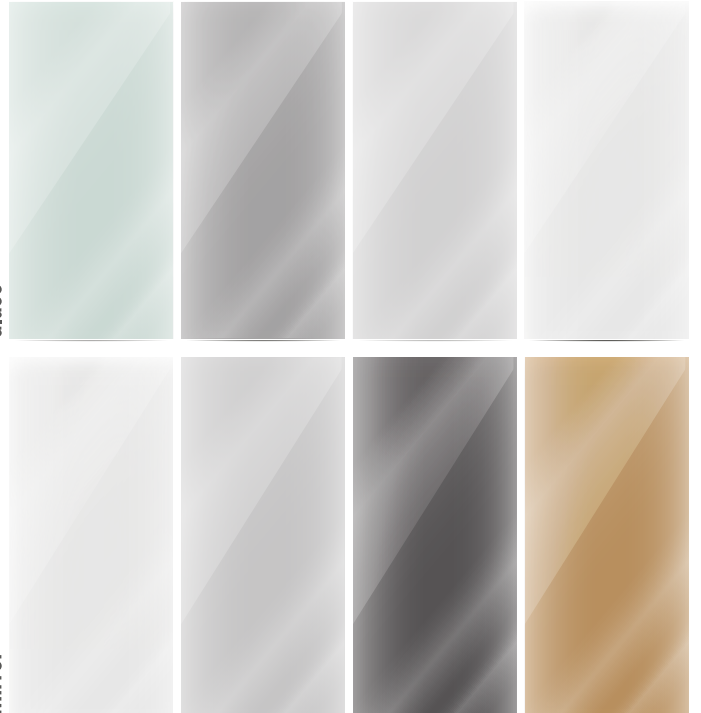
Glass & Mirror  
Please contact for further Information  
**Glass Department Graphic Designer**  
+90 533 288 08 22  
grafik3@kagittanisler.com



- 4 MM Grinding Edge MIRROR - Safety Film
- 4 MM SANDBLASTED MIRROR - Safety Film with Logo/Text
- 6 MM Grinding Edge MIRROR - Safety Film
- 4 mm Reflective TV Film Smoke Mirror
- 6 mm Reflective TV Film Smoke Mirror
- 6 MM Grinding Edge PAINTED/PATTERNED Safety Film Glass  
(WIDTH: MAX 1280 - HEIGHT: CABIN HEIGHT)
- 6 MM Grinding Edge PAINTED/PATTERNED Safety Film Glass/Tempered
- 8 MM Grinding Edge PAINTED/PATTERNED Glass-TEMPERED - Safety Film  
(WIDTH: MAX 1300 - HEIGHT: CABIN DEPTH/WIDTH)
- 4+4 Grinding Edge LAMINATED GLASS - Clear Glass
- 4+4 Grinding Edge LAMINATED GLASS - Clear Glass - Tempered
- 5+5 mm Grinding Edge LAMINATED GLASS - Clear Glass
- 5+5 mm Grinding Edge LAMINATED GLASS - Clear+TEMPERED
- 4+4 mm LAYERED DOOR GLASSES - Clear+Tempered

Glass

Mirror



"Please kindly review the extensive details of all our products on [liftkeys.com](http://liftkeys.com)"

Liftkeys is a brand of **KAGITTANISLER**

Mechanical Products Elevator Door  
Shock Absorbers



## Mechanical Products Elevator Door Shock Absorbers

# I&T

- Door shock absorber
- Hydraulic equipment used to prevent crashing in door opening and closing
- Works silently
- Does not need adjustment in summer and winter



I&amp;T 01



I&amp;T 02



I&amp;T 03

Product Code	Product Name	Qty per package	Price / Qty
I&T01	Mechanical Products Elevator Door Shock Absorbers	25	10.00 \$
I&T02	Mechanical Products Elevator Door Shock Absorbers	25	13.50 \$
I&T03	Mechanical Products Elevator Door Shock Absorbers	25	13.00 \$

## SEMI AUTOMATIC DOOR INTERLOCK



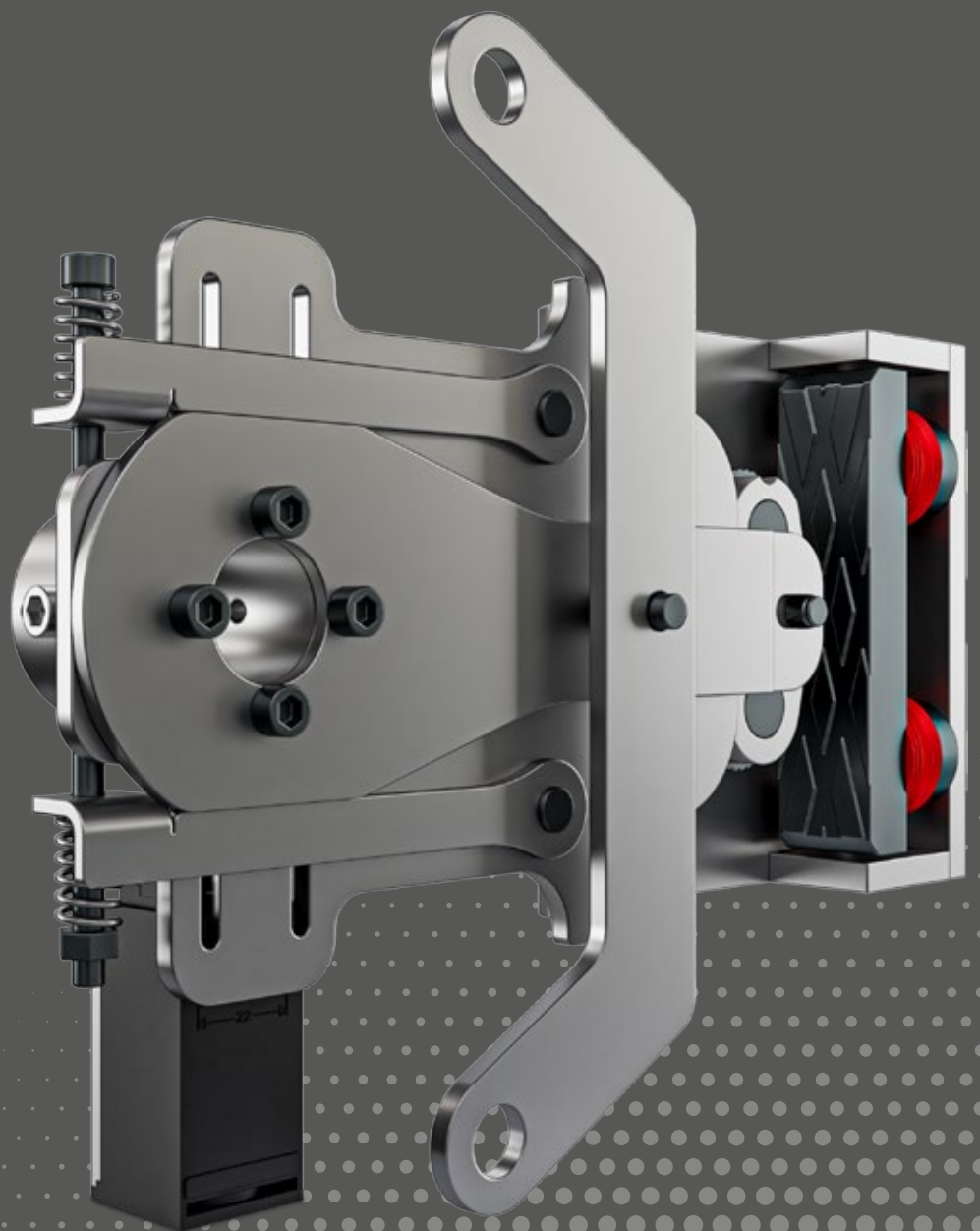
- High stability alüminyum housing processed in our. CNC machining departmant.
- Compatible with EN81-20 EN81-50 directives.
- Silent operation.
- Adjustable plug contact key.
- 100.000 full cycle operation testing all new manufacturing party.

Product Code	Product Name	Qty per package	Price / Qty
QTY	Semi Automatic Door Interlock Tip 31	1	18 \$

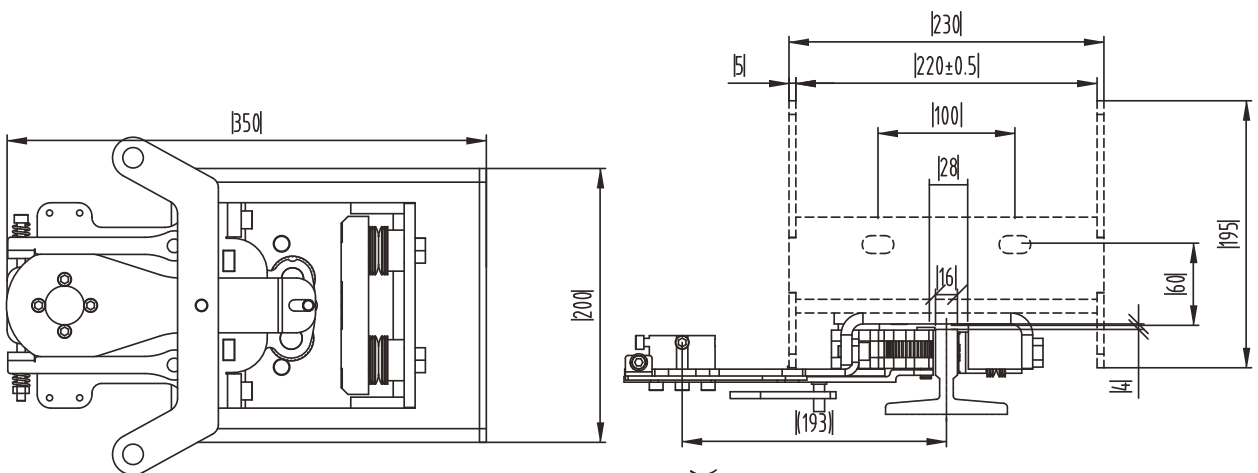
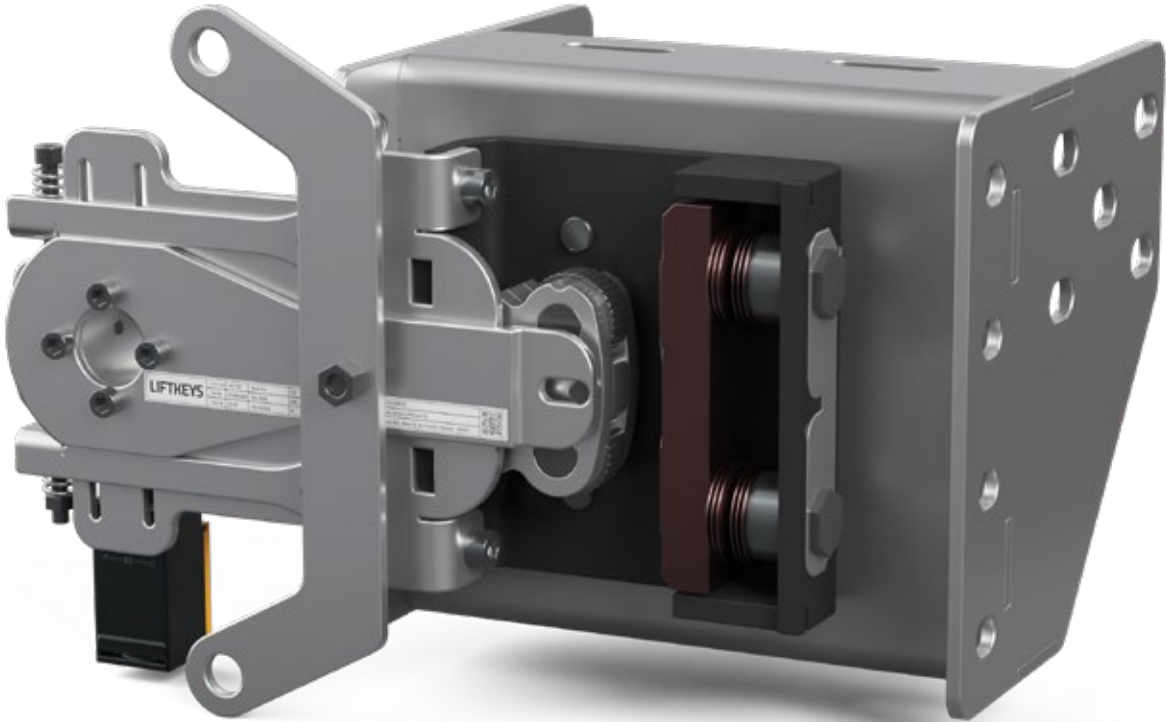


# LKS **F1**

SAFETY GEAR



# LKS F1 M

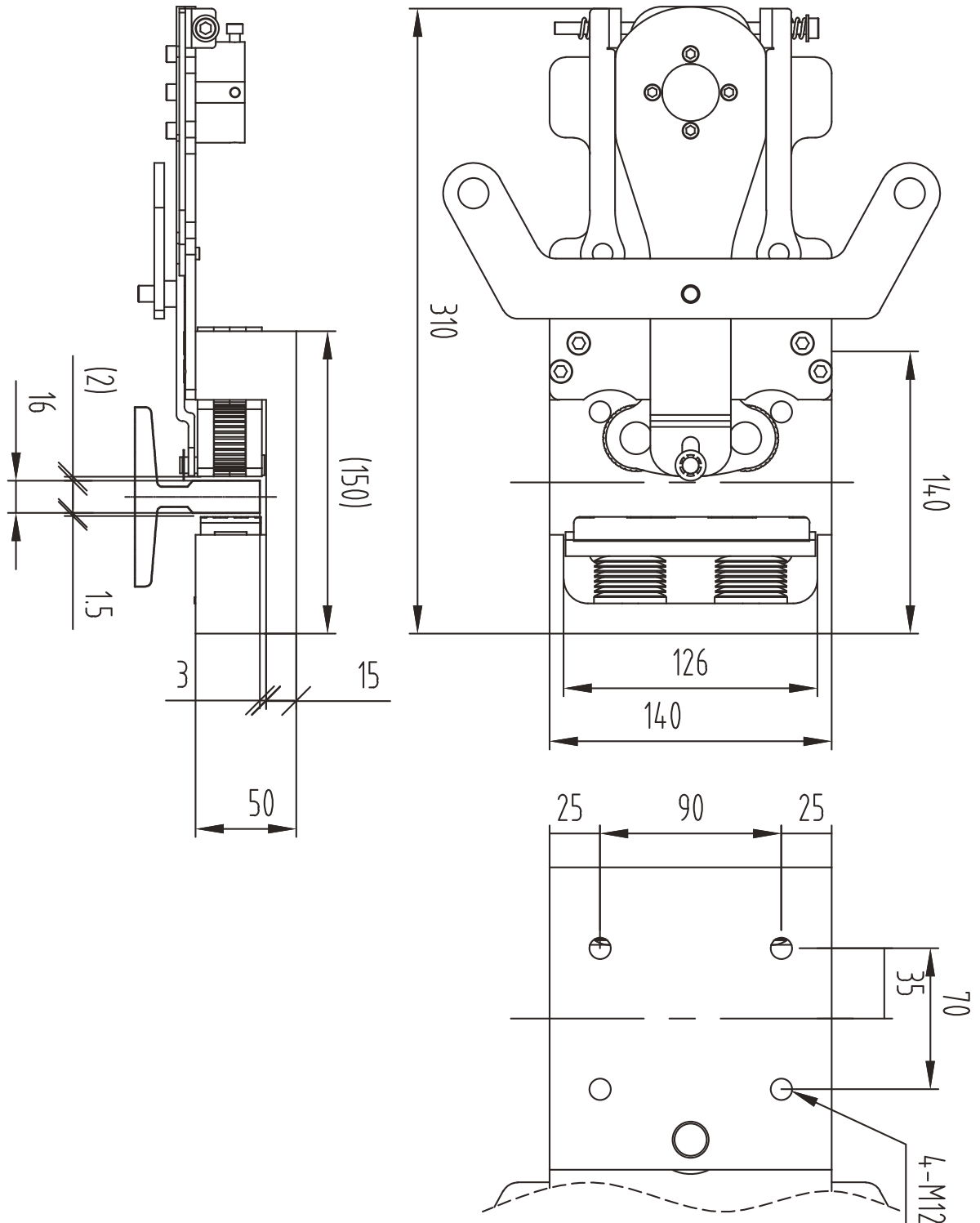


Rated Speed (m/s)	Tripping Speed (m/s)	Rail Width (mm)	Permitted P+Q (kg)	Rail Lubrication
0.63 - 1.6	1 - 2.16	9/10/16	800 - 2000	Oil- Dry

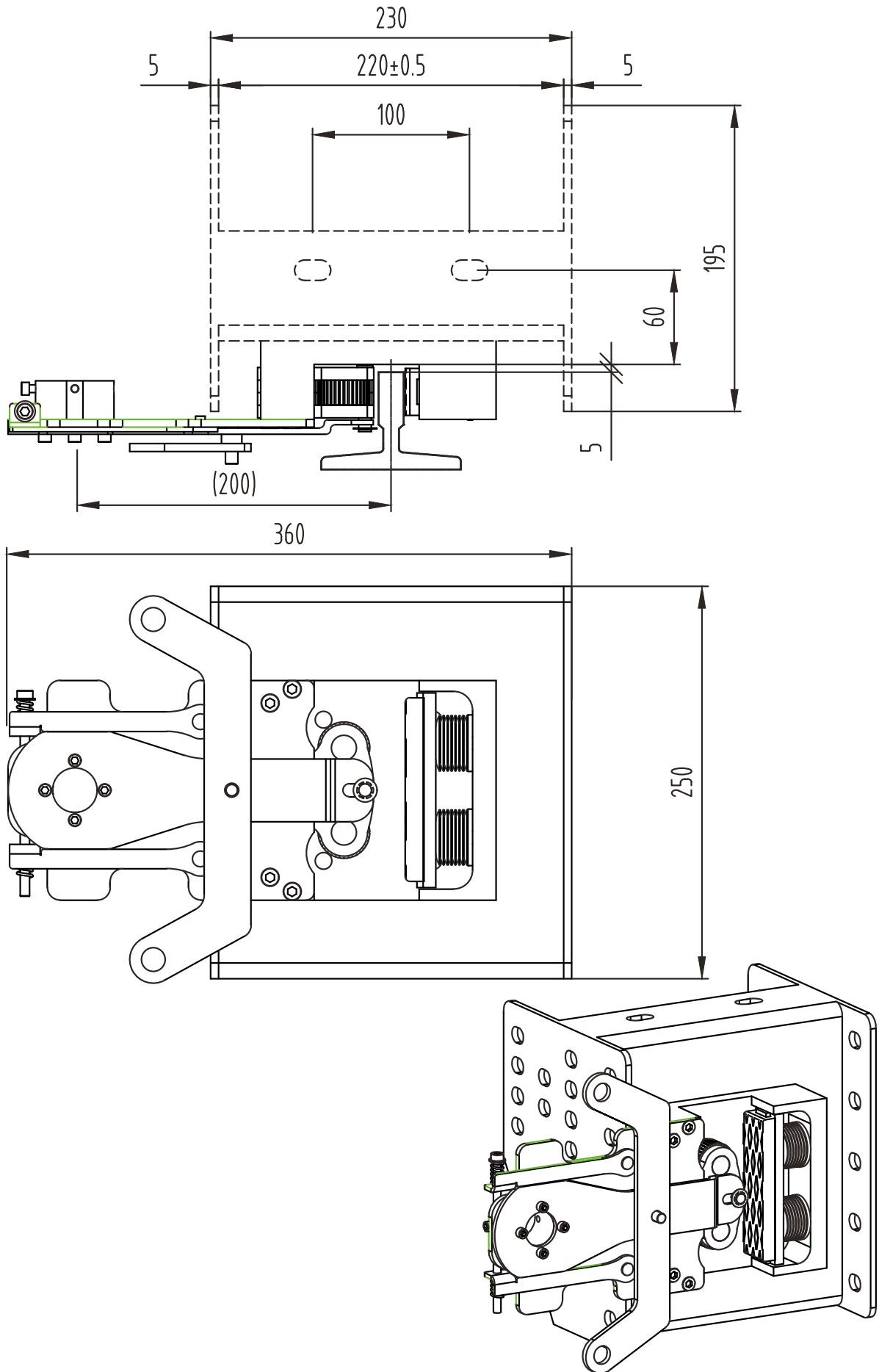
“Please kindly review the extensive details of all our products on [liftkeys.com](http://liftkeys.com)”

Liftkeys is a brand of **KAGITANISLER**

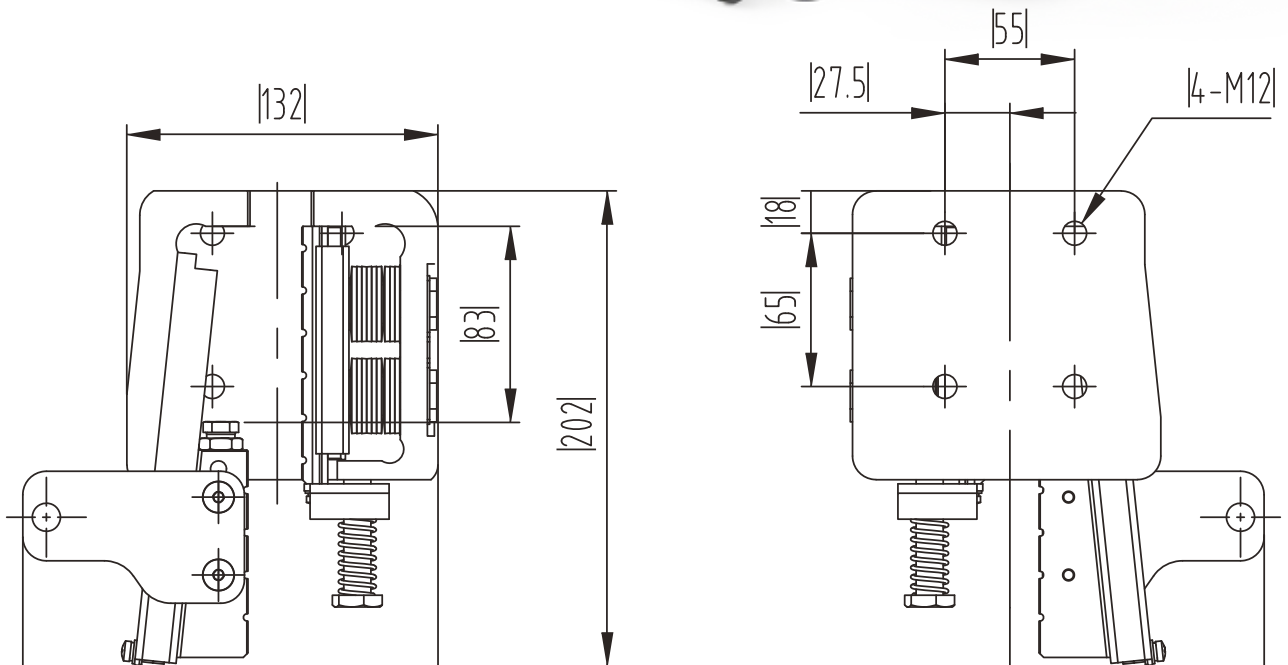
# LKS F1 PRO



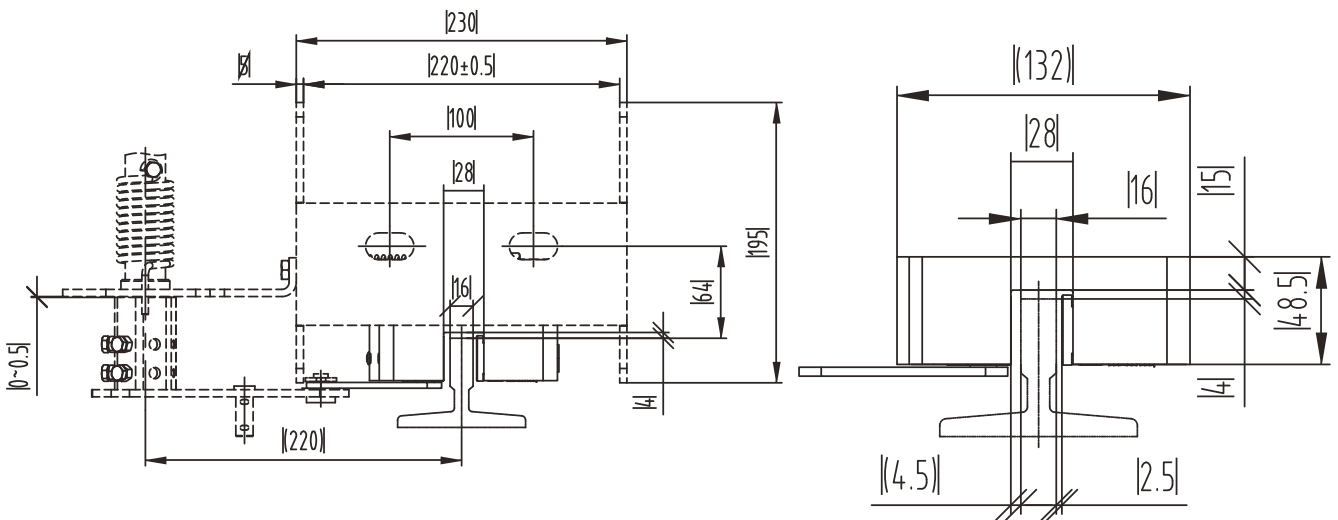
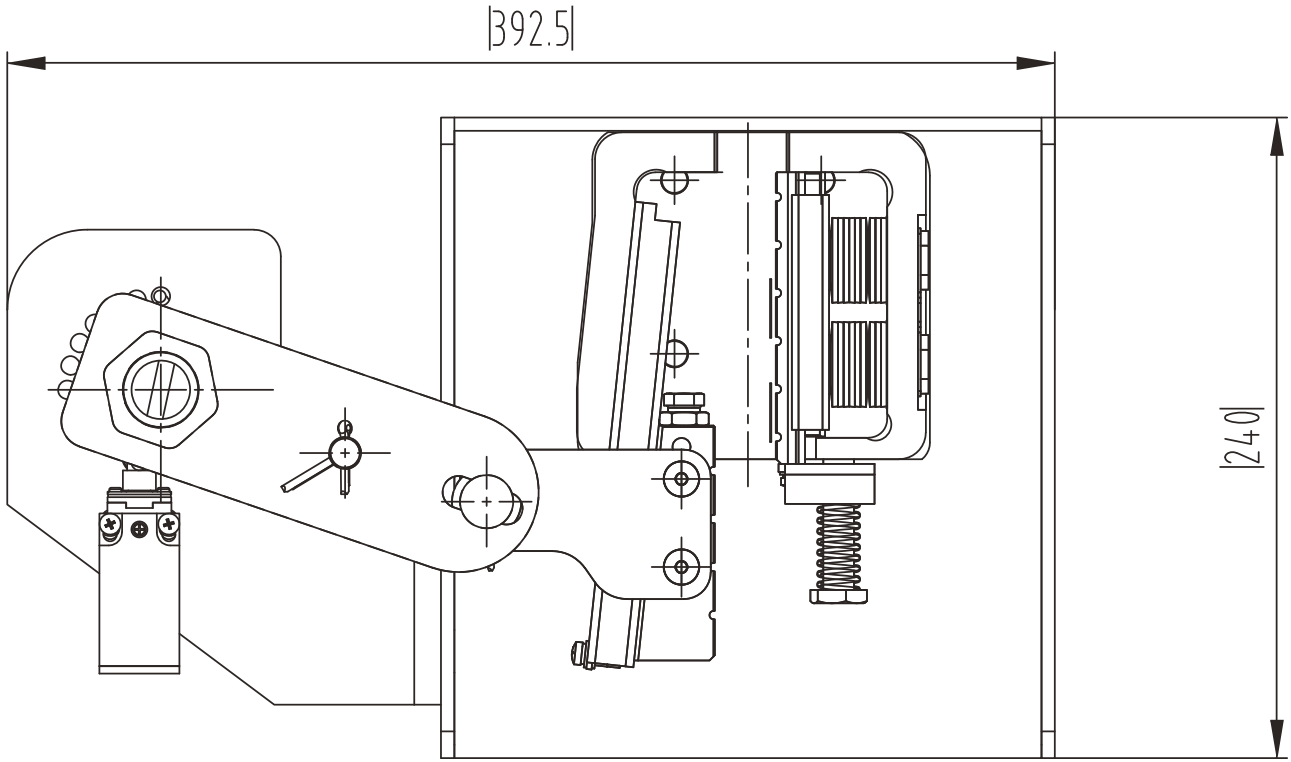
Rated Speed (m/s)	Tripping Speed (m/s)	Rail Width (mm)	Permitted P+Q (kg)	Rail Lubrication
0.63 - 1.6	1 - 2.16	9/10/16	800 - 3200	Oil- Dry



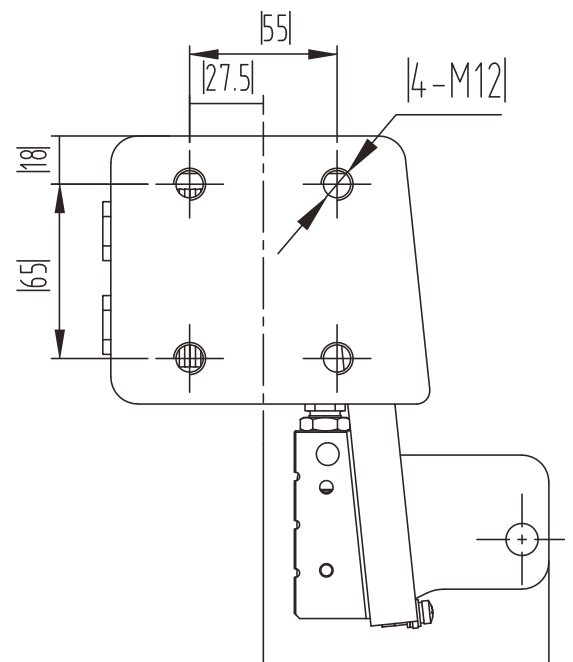
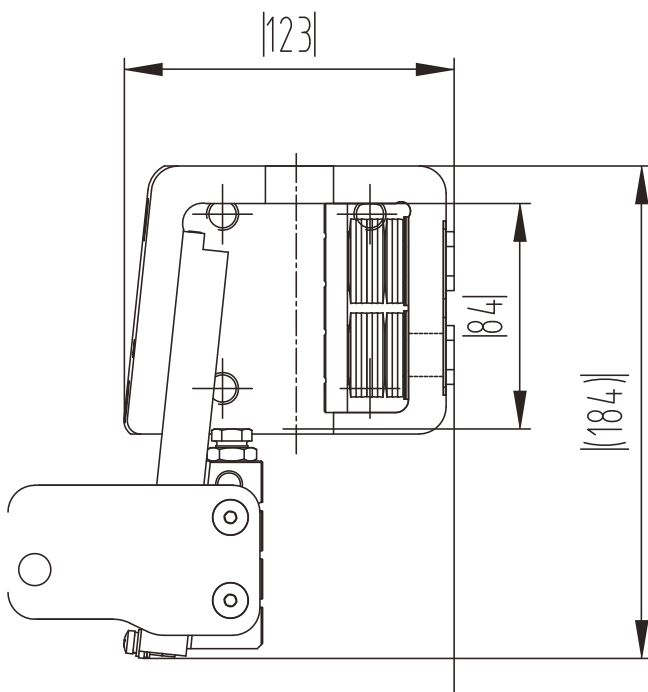
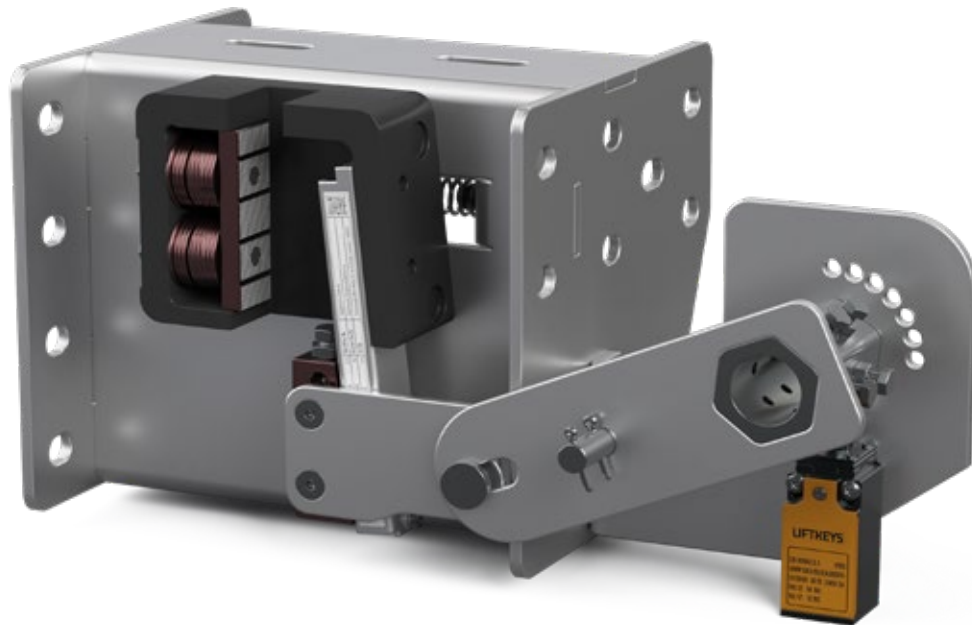
# LKS F106



Rated Speed (m/s)	Tripping Speed (m/s)	Rail Width (mm)	Permitted P+Q (kg)	Rail Lubrication
0.25 - 2.5	0.29 - 3.23	9/10/15.88/16	800 - 3300 800 - 3000	Oil- Dry



# LKS **F1** 06 B



Rated Speed  
(m/s)

Tripping Speed  
(m/s)

Rail Width  
(mm)

Permitted  
P+Q (kg)

Rail Lubrication

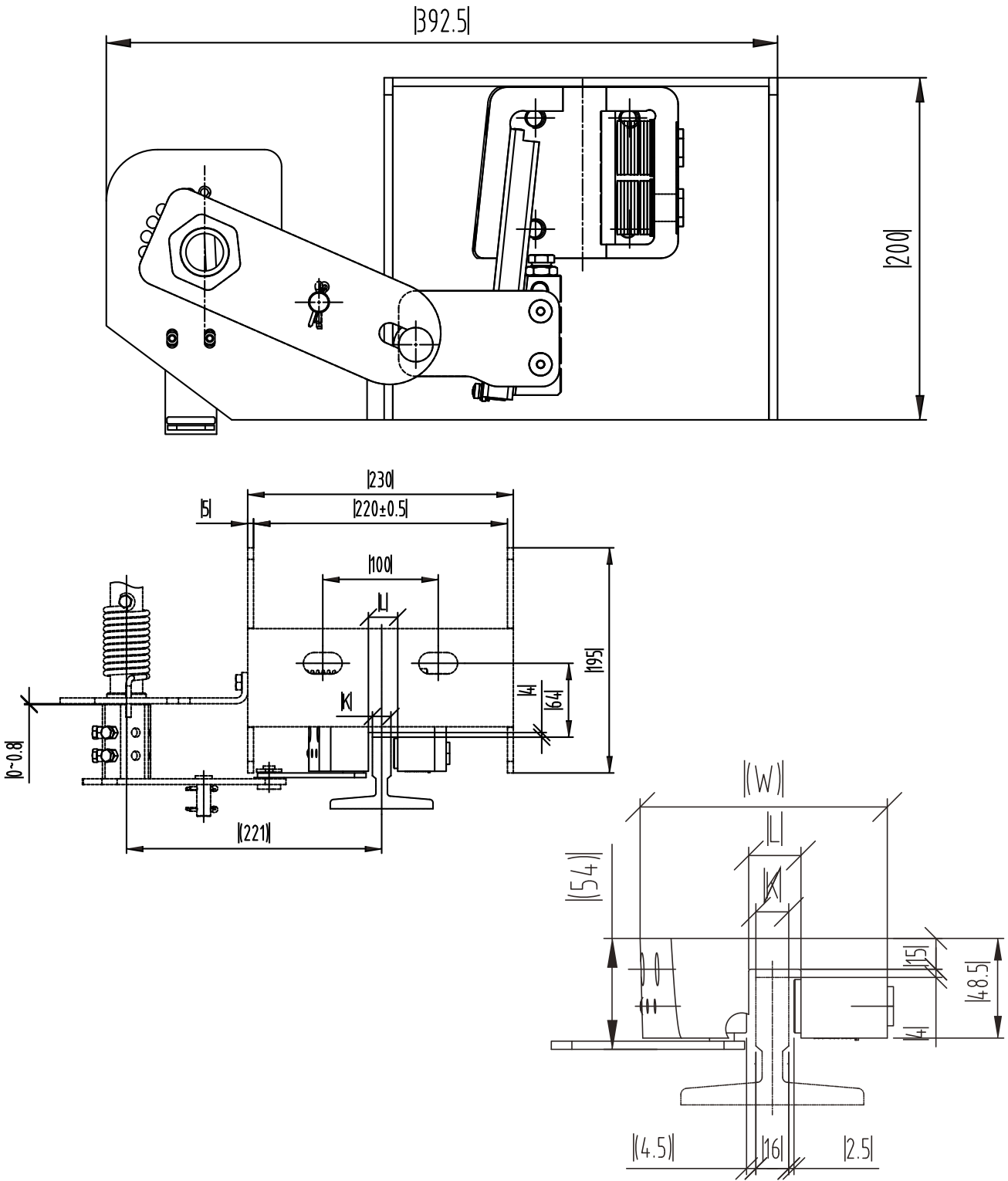
0.25 - 1.75

0.29 - 2.33

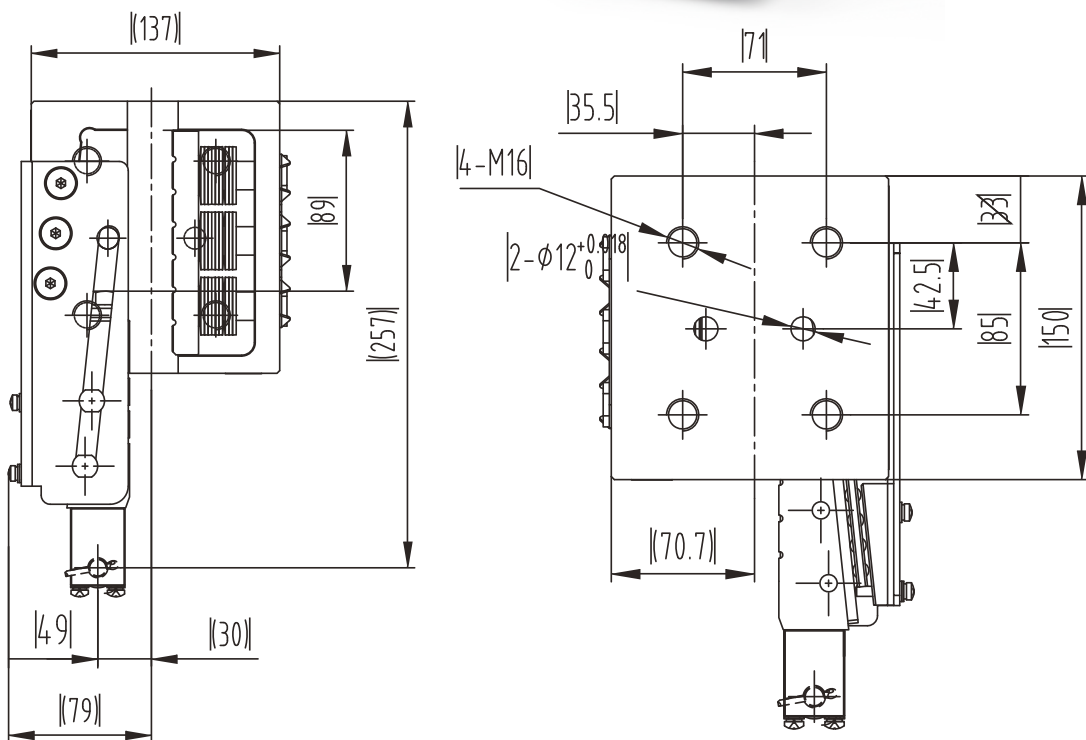
9/10/16

800 - 2600

Oil- Dry



# LKS F106 A



Rated Speed  
(m/s)

Tripping Speed  
(m/s)

Rail Width  
(mm)

Permitted  
P+Q (kg)

Rail Lubrication

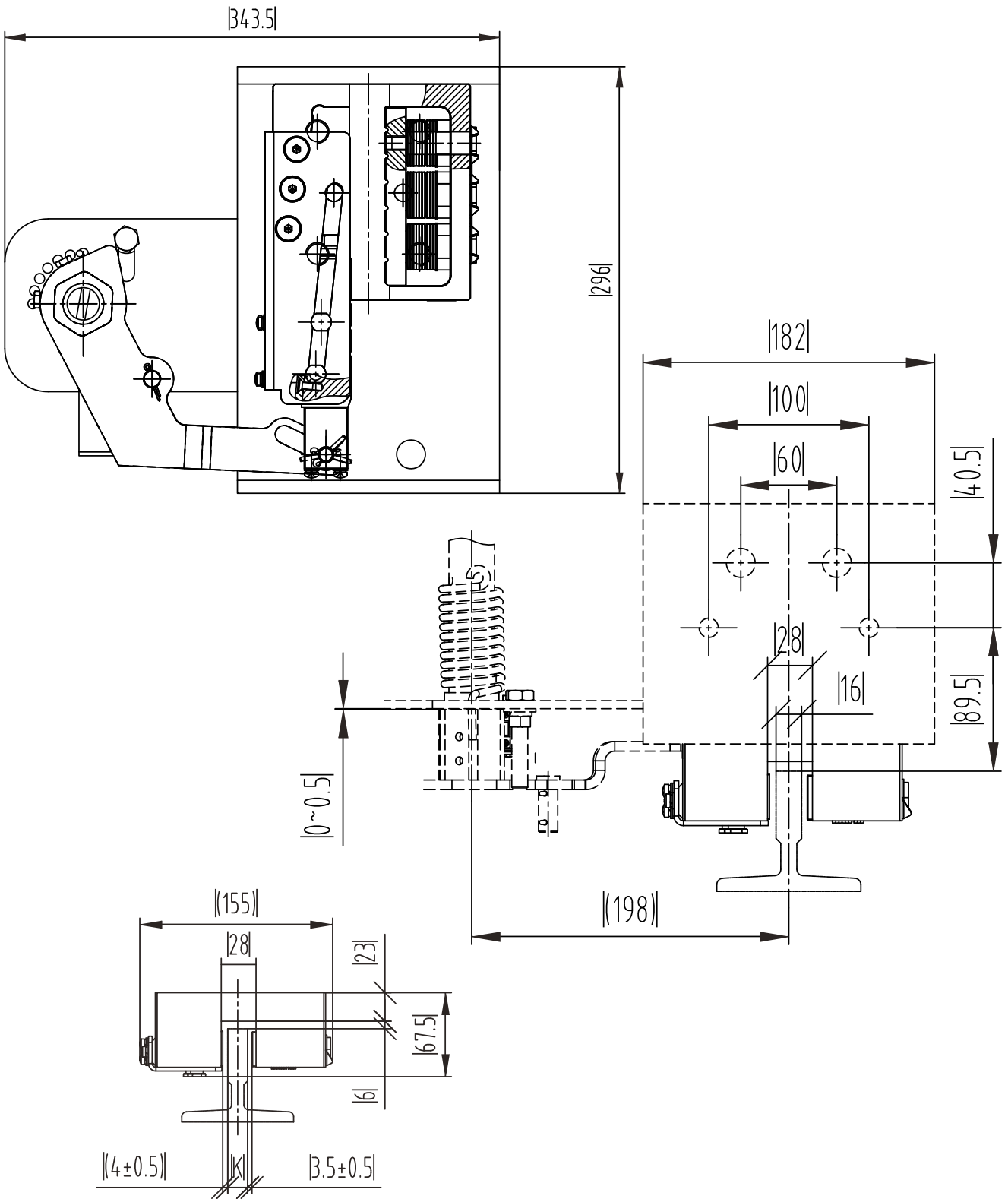
0.25 - 2.5

0.29 - 3.23

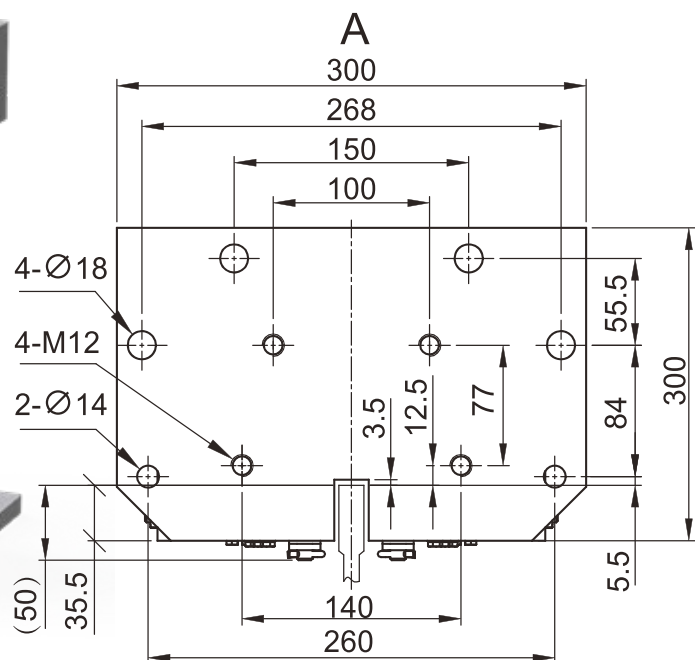
15.88 / 16

2000 - 5500

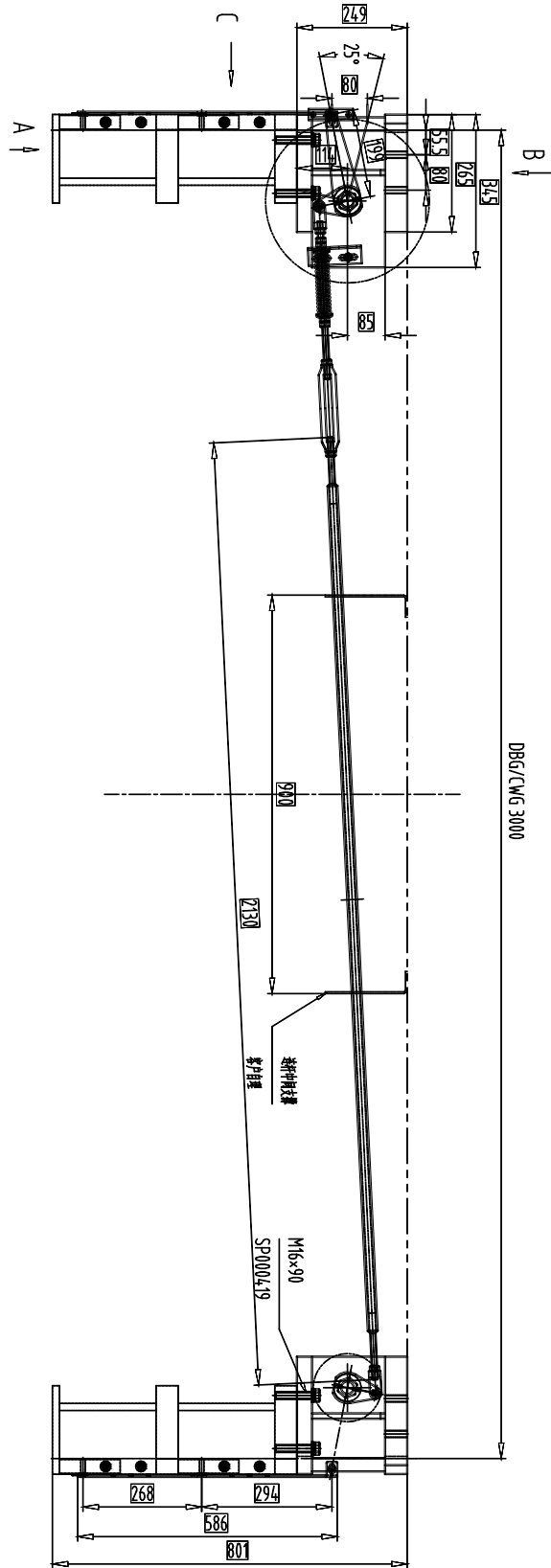
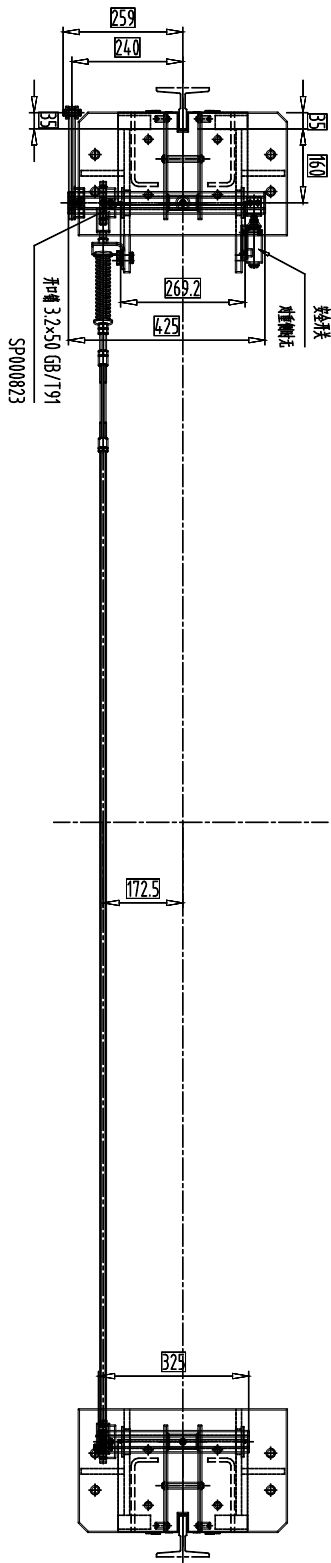
Oil- Dry



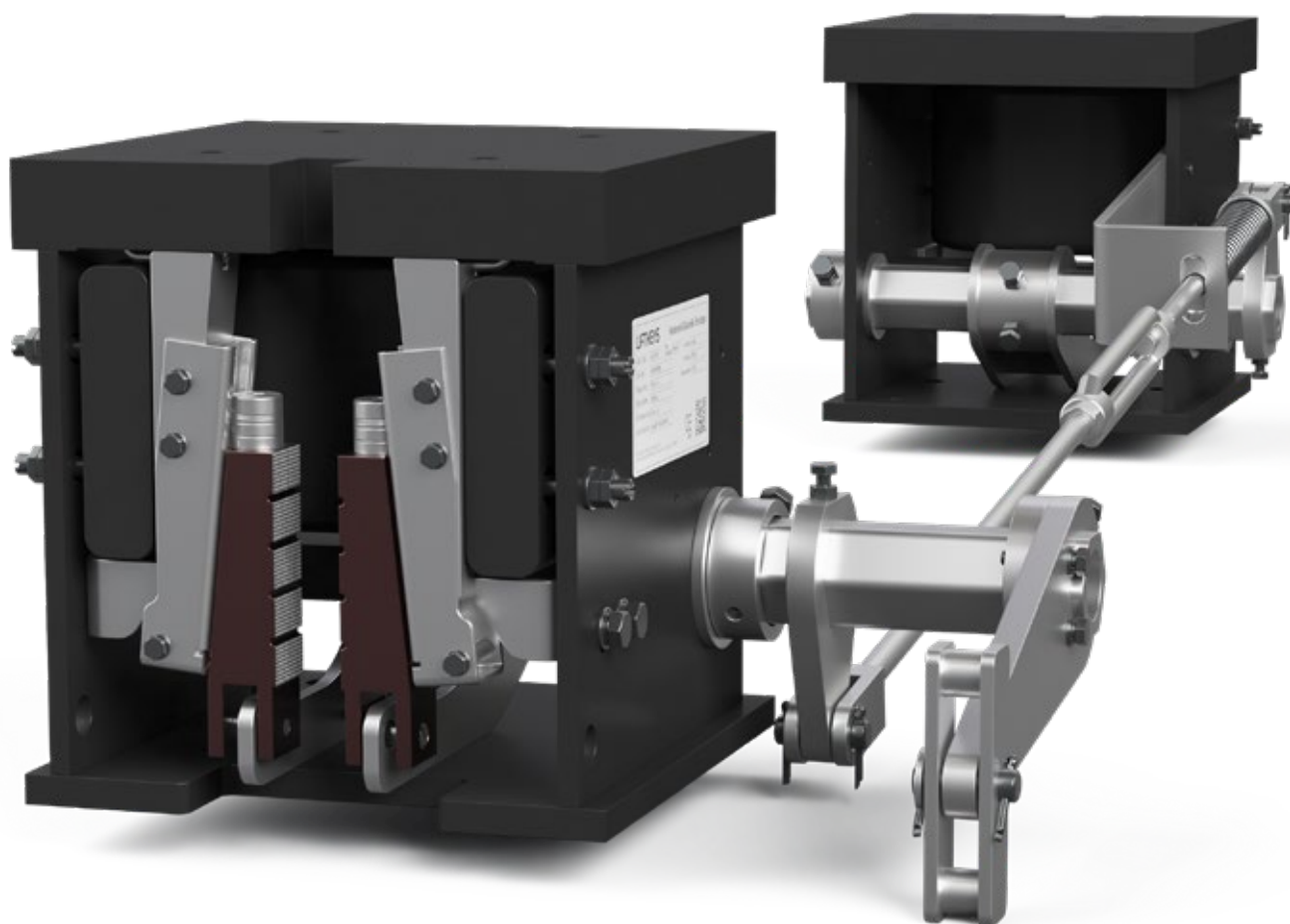
# LKS F1 17



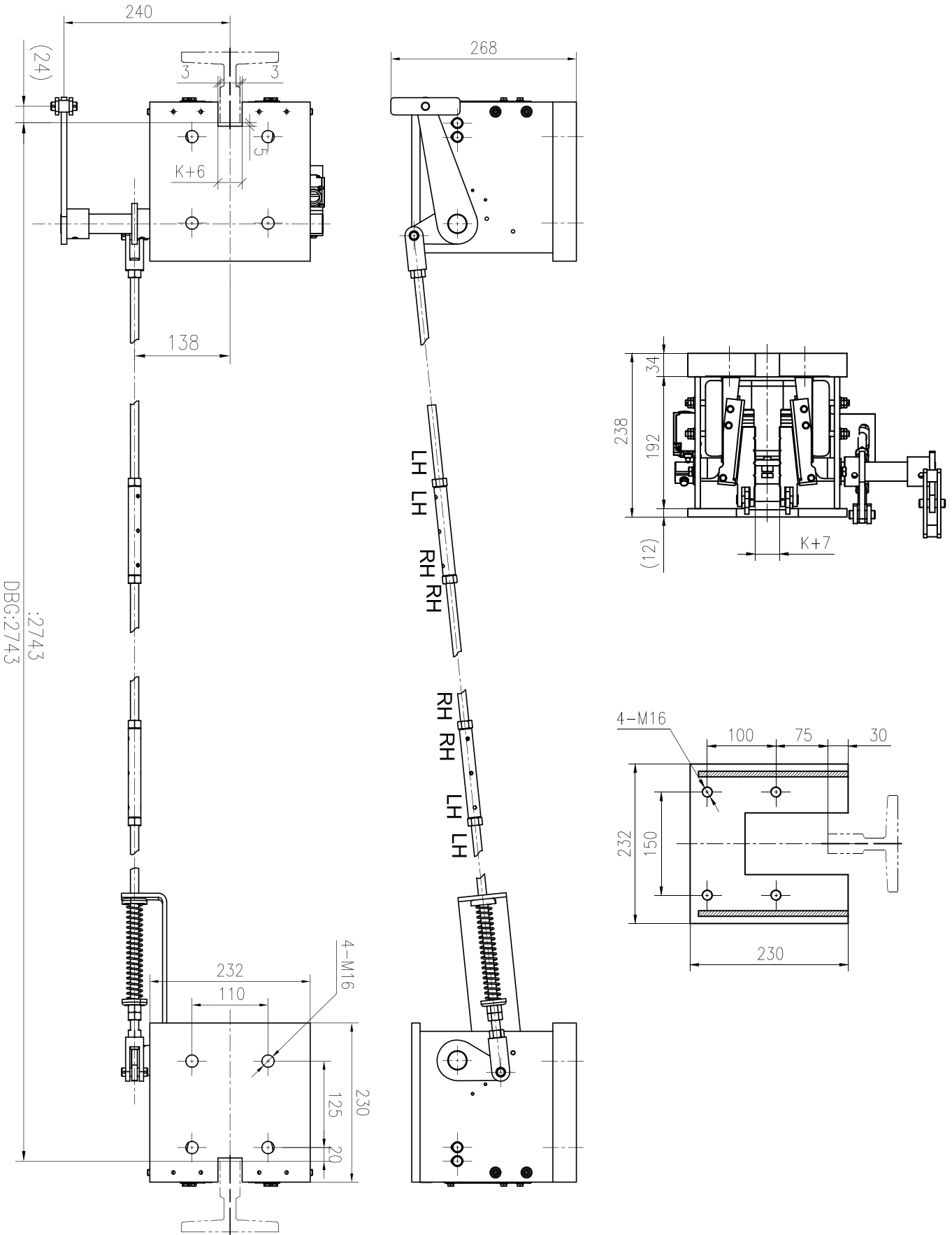
Rated Speed [m/s]	Tripping Speed [m/s]	Rail Width [mm]	Permitted P+Q [kg]	Rail Lubrication
0.25 - 1.0	0.29 - 1.50	15.88 / 16 / 19	10.000 - 20.000	Oil- Dry



# LKS F1 18

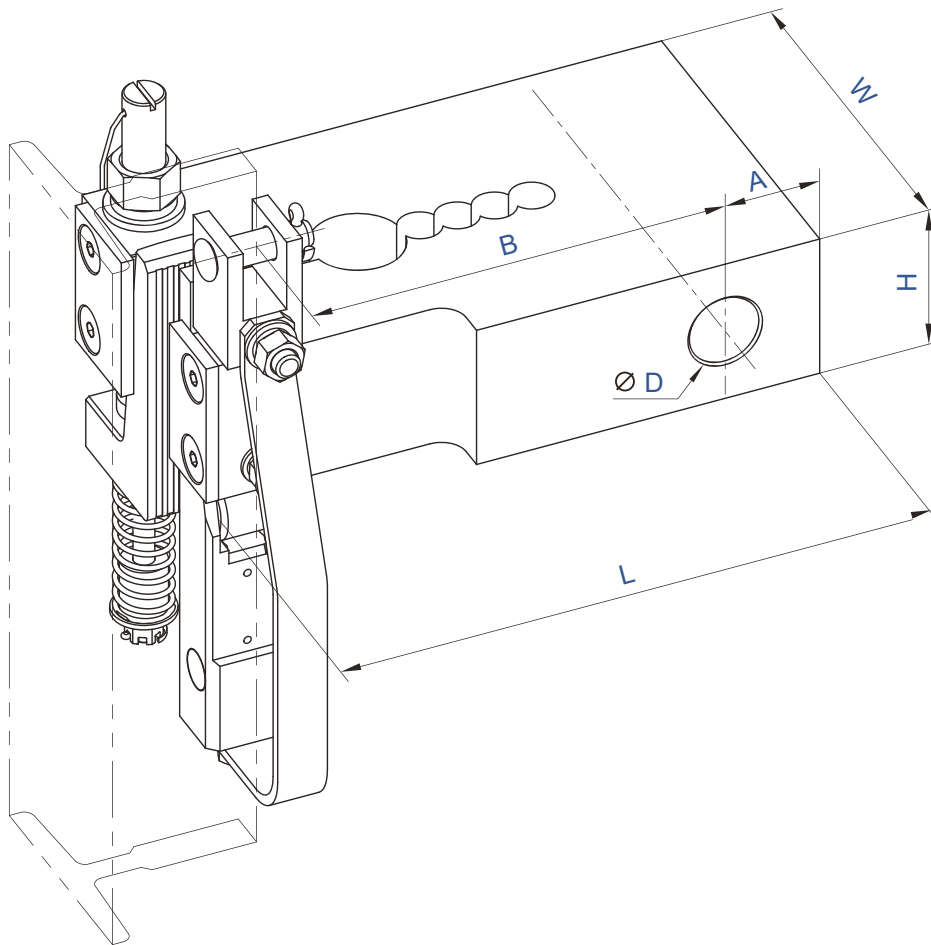


Rated Speed (m/s)		Tripping Speed (m/s)			Rail Width (mm)		Permitted P+Q (kg)		Rail Lubrication	
0.25 - 1.0		0.29 - 1.5			16 / 19		6000 - 12500		Oil- Dry	
No.	A	B	C	D1	D2	a	b	c	d1	d2
A101	20	125	110	2-M16	2-M16	75	100	150	2-M16	2-M16
A102	20	125	110	2-M16	2-M16	65	70	110	2-M16	2-M16



DBG:2743  
:2743

# LKS F1 10



LKS F1 10 SAFETY GEAR SERIES

Interface	Rated Speed (m/s)	Tripping Speed (m/s)	Permitted P+Q (kg)	Rail Width (mm)	Rail Lubrication	A	B	D	L	W	H	Certifications
A	0.25~2.5	0.29~3.22	4000~7000	15.88/16/19	Oil	38	158.5	28	238	138	60	GB/CE
	2.5~3.0	0.29~3.83	2800~6300	15.88/16/19	Dry							
	3.5~4.0	0.29~5.06	2800~6300	15.88/16/19	Dry							
B	0.25~2.5	0.29~3.22	2800~5200	15.88/16	Oil	22	141	22	197	94	50	GB/CE
	0.25~2.5	0.29~3.22	2600~4200	15.88/16	Dry							
C	0.25~2.5	0.29~3.22	1600~3200	9/10/15.88/16	Oil	22	141	22	197	81	50	GB/CE
	0.25~2.5	0.29~3.22	1600~3200	9/10/15.88/16	Dry							
D	0.25~2.5	0.29~3.22	650~2000	9/10/15.88/16	Oil	22	141	22	197	81	50	GB/CE
	0.25~2.5	0.29~3.22	650~2000	9/10/15.88/16	Dry							

We Produce For The Whole World, We Add Value.









📍 Ramazan Ođlu Mah. Mekke Sok. No: 4  
Kurtky-Pendik / İSTANBUL  
Postal Code: 34906

☎ +90 216 450 19 00 (pbx)

☎ +90 533 369 45 69

✉ export@liftkeys.com  
export2@liftkeys.com

🌐 Web: liftkeys.com

Liftkeys is a **KAGITANİSLER**® brand.

